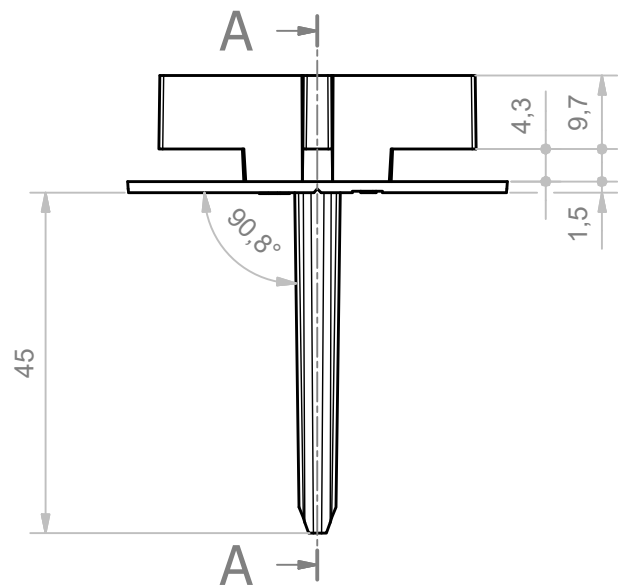
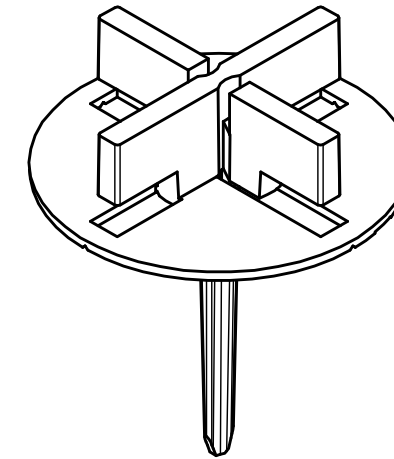
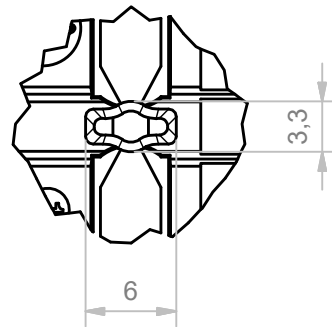
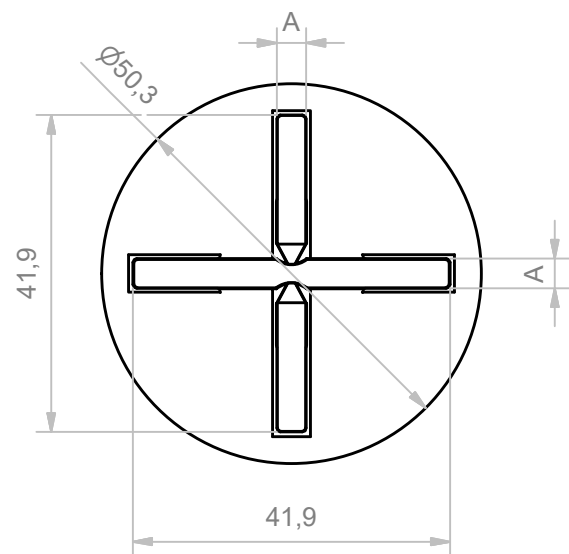
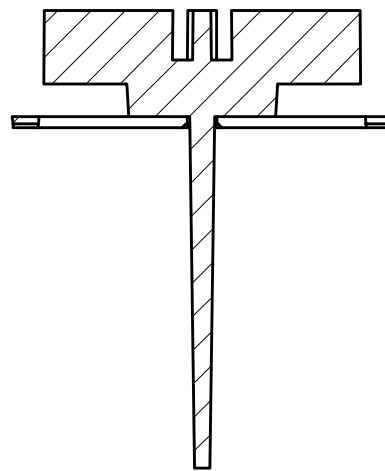


B (2:1)



A-A (1:1)



RESERVED PROPERTY: The present drawing cannot be reproduced or communicated to 3d parties, even partially, without the authorization of ETERNOIVICA Srl. Eternoivica reserves to protect its own rights according to the law.					5	4	3	2	1
GENERAL TOLERANCE	UNI EN 22768/1 Media (m)		Drawing:	Checked:	Revision description				
SHEET NR.	Dimension in mm	DRAWING BY	Rigato N.	Dalla Montà D.	Scale: 1 : 1				
1 / 1		 Manual modification are not allowed	Date: 11/04/2016	Replace nr.	Part number:				
 UN PARTNER PER IL FUTURO PLASTIC+ Group Italtronic			Denomination: SUPPORTO MINI SM CON PERNO SUPPORT MINI SM WITH PIVOT ETERNO IVICA S.R.L. VIA AUSTRIA 25/E 35127 PADOVA - ITALY www.eternoivica.com						
				Drawing nr. E-06621-00					